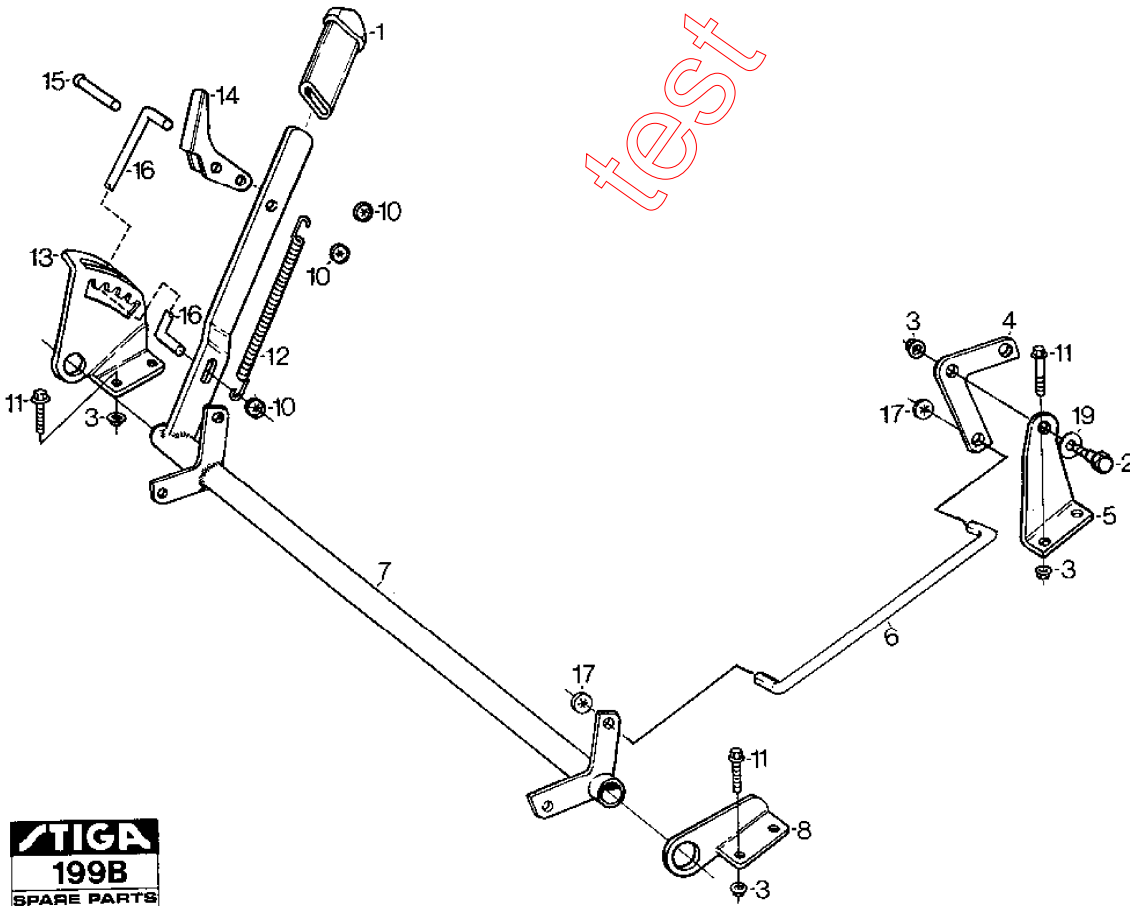


test



Section: VILLA MOWER DECK 85B CONTROLS LIFTING DEVICE

Pos.	Quantity	Spare part No	Description	Kit	Notes	New
	2911					
	2931					
0	1	1134-1437-02	Lifting device assy			
1	1	9403-0110-01	.Handle			
2	1	9699-0025-02	.Washer			
3	1	1134-0583-00	.Plastic knob			
4	2	9739-0631-22	.Nut			
5	1	1111-0053-00	.Compression spring			
6	1	1134-1889-01	.Eyebolt			
7	1	1134-0859-03	.Lift lever			
8	1	9646-0099-22	.Rivet			
9	1	1134-0858-00	.Push rod			
10	1	9675-0008-02	.Locking washer			
11	1	1134-2911-01	.Locking pawl			
12	1	9675-0012-02	.Locking washer			
13	2	1134-2684-01	.Bearing			
14	1	1134-0536-00	.Lift quadrant			
15	2	9739-1031-22	.Nut			
16	2	9959-1020-16	.Screw			
17	2	9595-0258-00	.Locating pin			
18	1	1134-1604-01	.Trippet			
19	1	1134-1884-01	.Lifting shaft			
20	1	1134-1605-01	Chain			
21	1	1134-1578-01	Spring			
A0	1	..13-2911-92	Mower deck assy			
A1	1	1134-1069-01	Handle			
A2	2	1134-0240-00	Shoulder screw			
A3	12	9739-0831-22	Nut			
A4	2	1134-2907-03	Pivoting plate			
A5	2	1134-0328-04	Casing bracket			
A6	2	1134-1833-01	Stay bar			
A7	1	1134-1451-02	Tie rod			
A8	1	1134-0312-04	Tie rod bracket			
A10	3	9675-0009-02	Starlock			
A11	8	9959-0816-16	Screw			
A12	1	1134-0361-00	Spring			
A13	1	1134-1450-02	Height adjust quadr			
A14	1	1134-1326-01	Control lug			
A15	1	9646-0064-22	Rivet			
A16	1	1134-0343-00	Slide for height ad			
A17	4	9675-0012-02	Locking washer			
A19	2	9665-0002-00	Bowed washer			